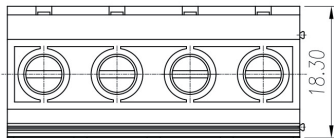
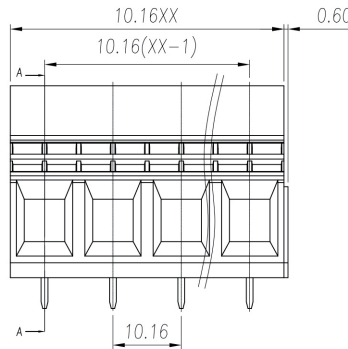
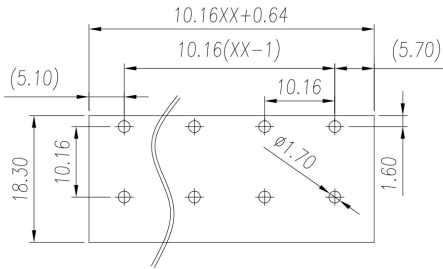
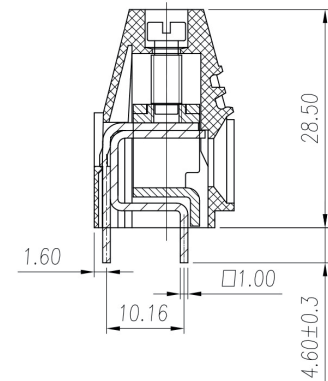


# PCB Terminal Blocks, Fixed Horizontal Wire Entry, High Current ASIWJ116VW-10.16



Certification	
Material	
<b>Screw</b>	M4.0, Steel Zinc Plated
<b>Cage</b>	Copper Alloy, Nickel Plated
<b>Pin/Plate</b>	Copper Alloy, Tin Plated
<b>Housing</b>	PA66, UL 94V-0, Green
Electrical	
<b>Standard</b>	UL 1059/CSA C22.2 No. 158
<b>Rated Voltage</b>	600 V
<b>Rated Current</b>	65 A
<b>Wire Range</b>	20-6 AWG
<b>Contact Resistance</b>	20mΩ
<b>Insulation Resistance</b>	500MΩ/500 Vdc
<b>Withstand Voltage</b>	2000 Vac/1 Min
Mechanical	
<b>Temperature Range</b>	-40°C...+105°C
<b>Torque</b>	1.2N-m (10.5lb-in)
<b>Strip Length</b>	10-11 mm (0.39-0.43")
Size	
<b>Pitch</b>	10.16 mm (.400")
<b>Poles</b>	2P-3P. Additional sizes available on request.



Item	No. of Poles	Length (mm)
ASIWJ116VW-10.16-2P	2	21.07
ASIWJ116VW-10.16-3P	3	31.23